



hertz[®]
Typo: Drehmoment:
Output: Drehzahl:
Watt: U_n:
L: I_n:
0,5/2,5

hertz[®]
SPINDLE MOTORS

HMA

TYPE	Frequency Hz	Speed Rpm	Power Kw	Absorbtion A	Power Fac. Cos Ø	Voltage V	Weight Kg
HMA 12	200	12000	0.16	1.15	0.70	220	2,1
	300	18000	0.22	1.7	0.70		
	400	24000	0.22	1.7	0.70		
HMA 22	200	12000	0.22	1.5	0.70	220	2,3
	300	18000	0.33	2.1	0.70		
	400	24000	0.33	2.1	0.70		
HMA 32	200	12000	0.37	2.3	0.70	220	2,6
	300	18000	0.55	3.2	0.70		
	400	24000	0.55	3.2	0.70		
HMA 42	175	10500	0.45	2.3	0.70	220	2,9
	200	12000	0.55	2.6	0.72		
	250	15000	0.60	3.4	0.72		
	300	18000	0.75	3.7	0.72		
	400	24000	0.75	3.7	0.72		
HMA 52	100	6000	0.45	3.1	0.68	220	3,2
	200	12000	0.75	3.4	0.74		
	300	18000	1.10	4.8	0.73		
	400	24000	1.10	4.8	0.73		

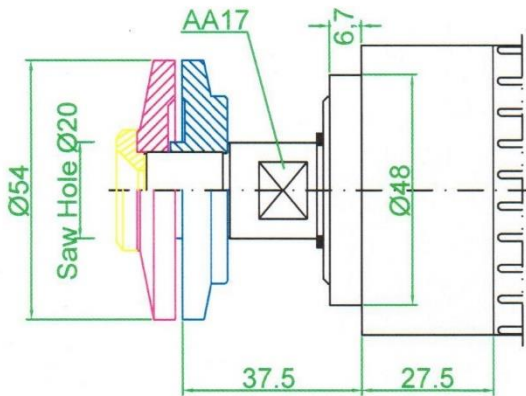
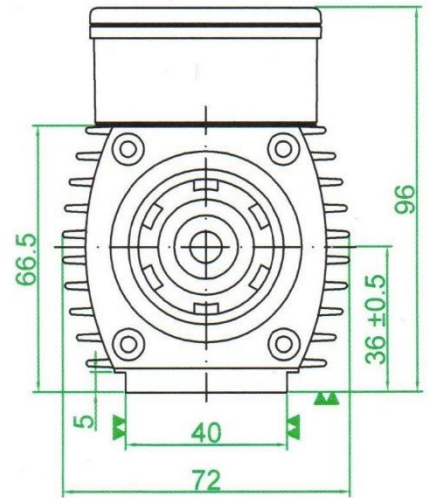
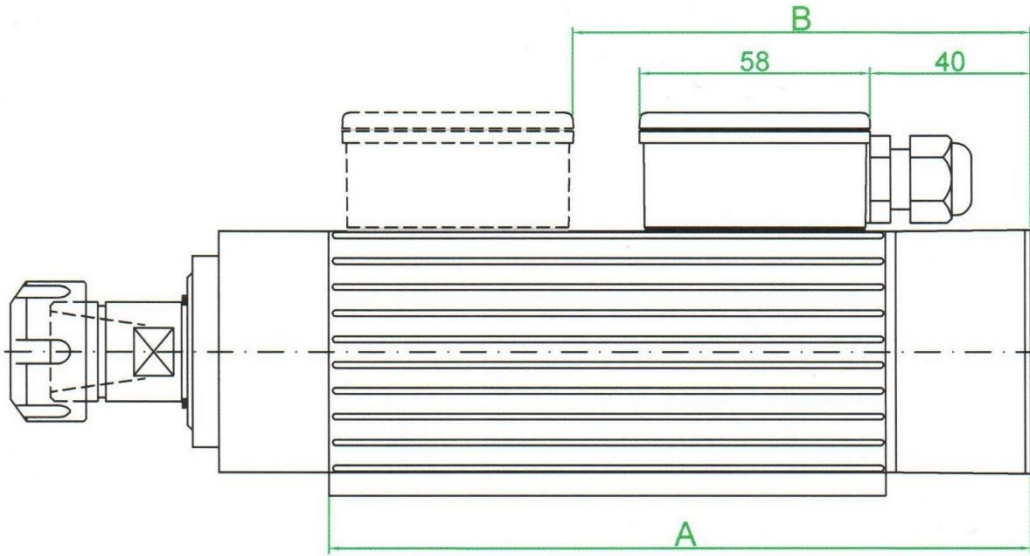


CKM

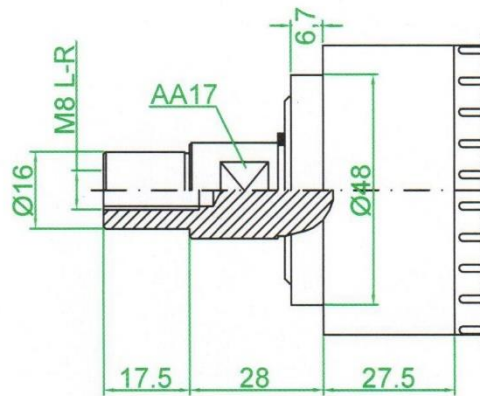


AK

HMA - AK

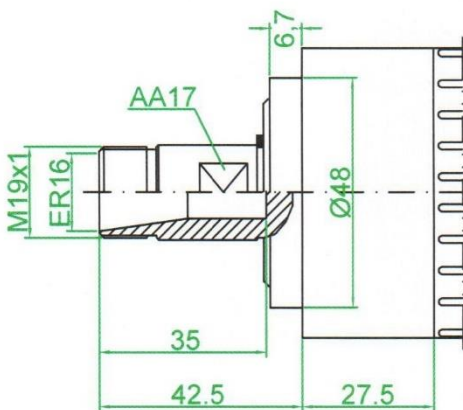


FLANGE

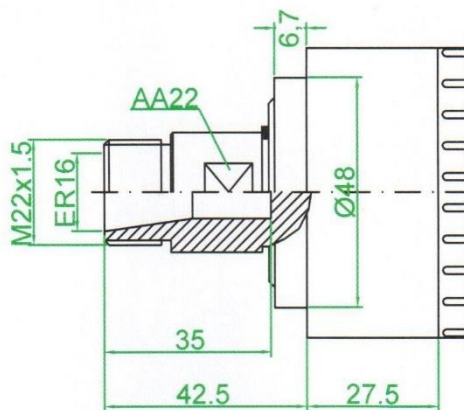


STANDARD

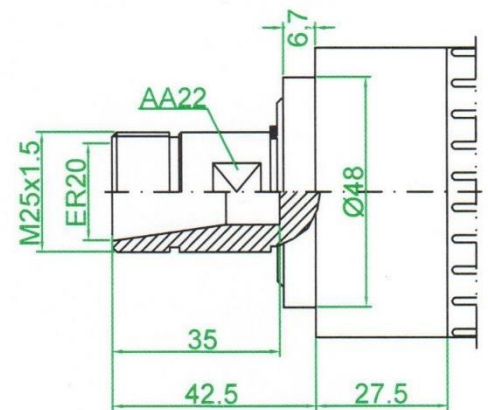
TYPE	A	B
HMA 12 s	131.5	70
HMA 12	136.5	75
HMA 22	146.5	85
HMA 32	161.5	100
HMA 42	176.5	115
HMA 52	196.5	135



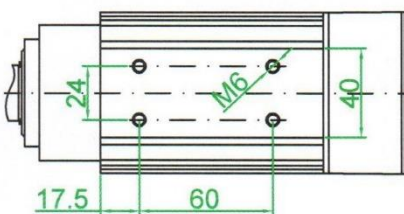
ER16 mini



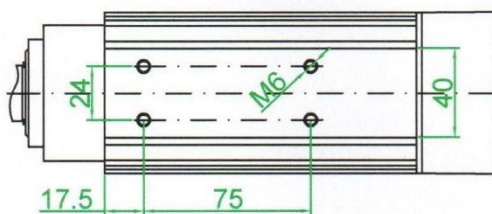
ER16



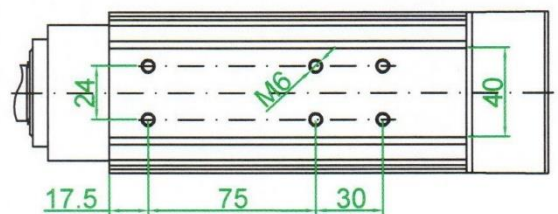
ER20



HMA12S / HMA12

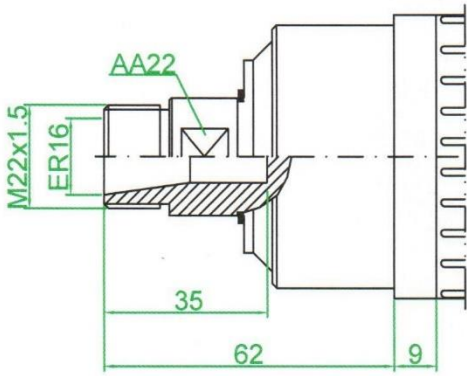
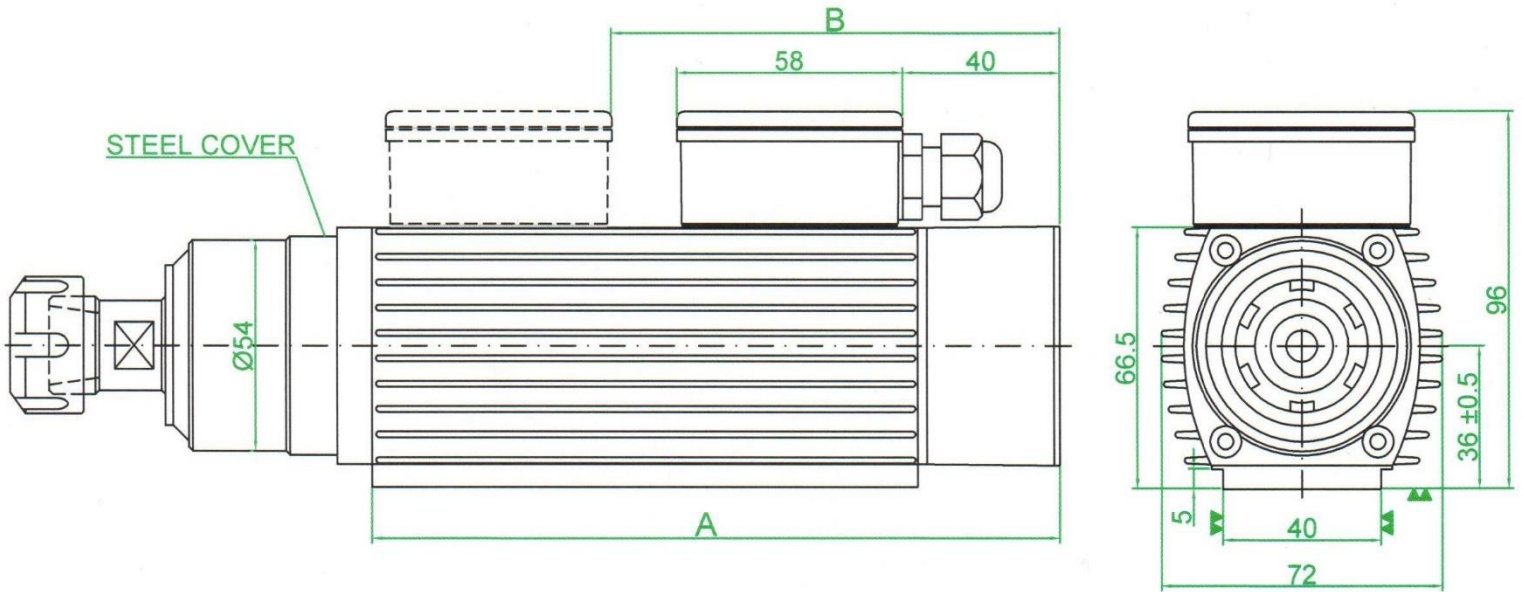


HMA22 / HMA32 / HMA42

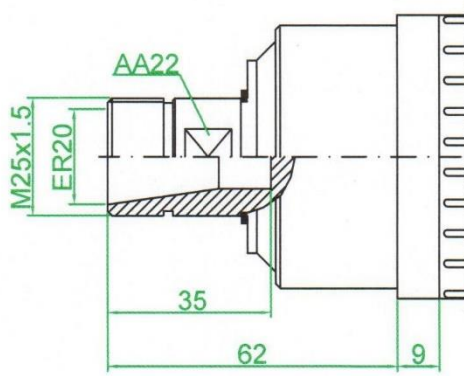


HMA52

HMA - CKS/CKM

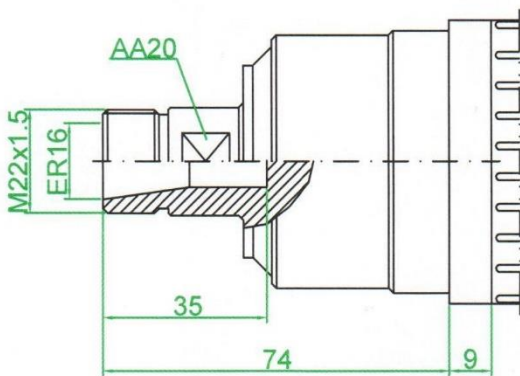


CKS / ER16

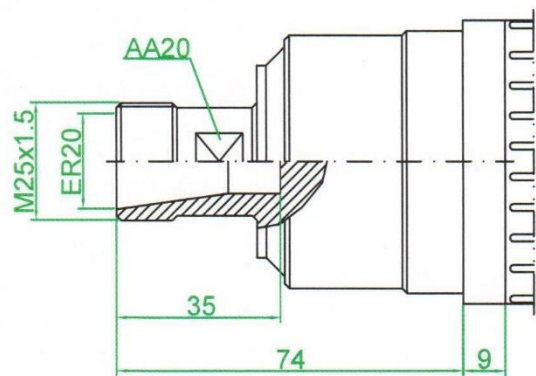


CKS / ER20

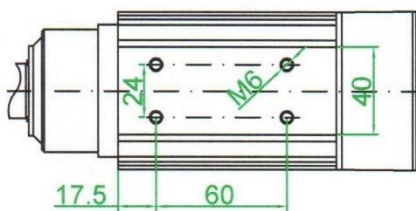
TYPE	A	B
HMA 12 s	131.5	70
HMA 12	136.5	75
HMA 22	146.5	85
HMA 32	161.5	100
HMA 42	176.5	115
HMA 52	196.5	135



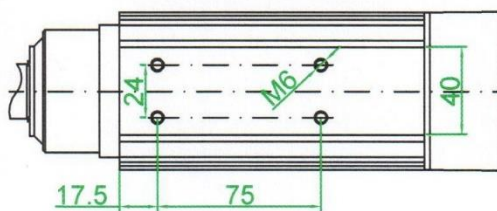
CKM / ER16



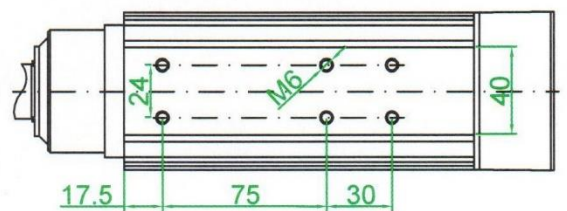
CKM / ER20



HMA12S / HMA12



HMA22 / HMA32 / HMA42



HMA52

H M B

TYPE	Frequency	Speed	Power	Voltage	Absorbtion	Power Fac.	Weight
	Hz	Rpm	Kw	V	A	Cos Ø	
HMB 22	200	12000	1.1	220	5.6	0.75	5,3
	300	18000	1.1	220	5.7	0.75	
	300	18000	1.4	220	6.1	0.75	
	400	24000	1.5	220	6.3	0.75	
HMB 32	100	6000	0.75	220	3.3	0.75	6,3
	200	12000	1.5	220-380	6.3 - 3.6	0.79	
	300	18000	1.5	220-380	6.4 - 3.6	0.80	
	400	24000	2.0	220	9.0	0.80	
	400	24000	2.2	380	5.2	0.80	
HMB 42	100	6000	0.95	220	4.4	0.76	7,0
	200	12000	2.2	220-380	9.8 - 5.7	0.79	
	300	18000	2.2	220-380	9.8 - 5.7	0.82	
	400	24000	2.5	220	9.8	0.82	
	400	24000	2.5	380	6.0	0.82	
HMB 52	100	6000	1.1	220	4.8	0.77	8,0
	200	12000	2.6	380	6.5	0.79	
	300	18000	3.0	380	7.2	0.84	
	400	24000	3.0	380	7.2	0.84	

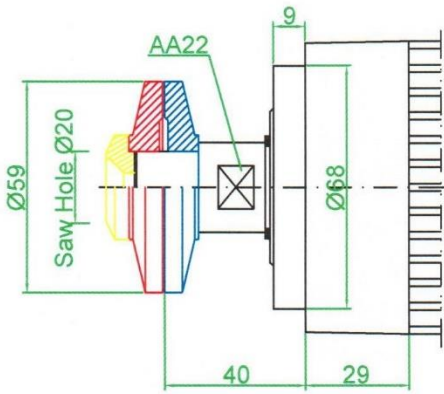
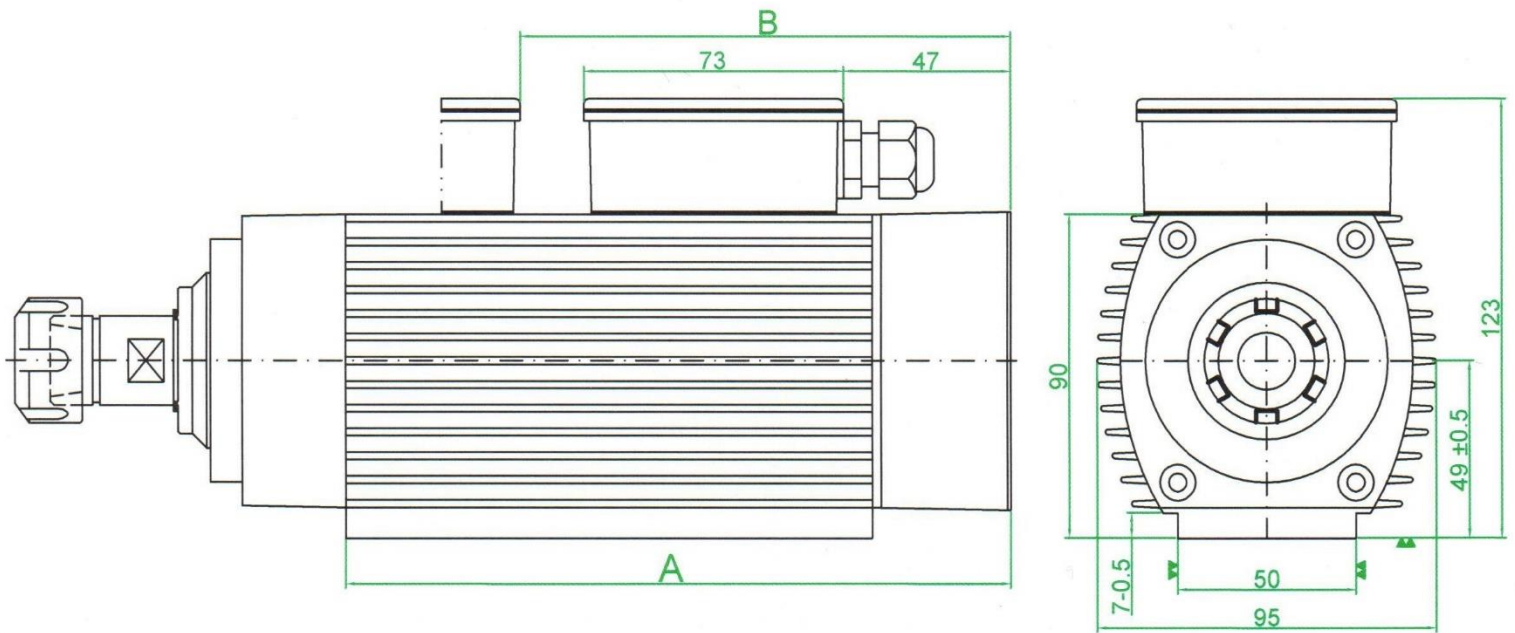


CKS

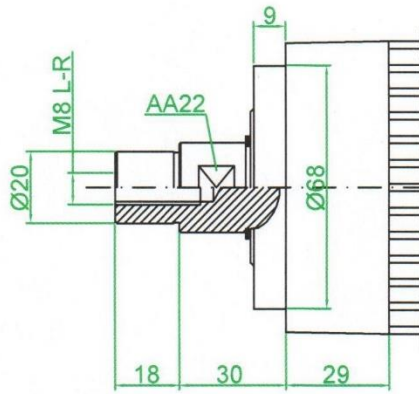


AK

HMB - AK

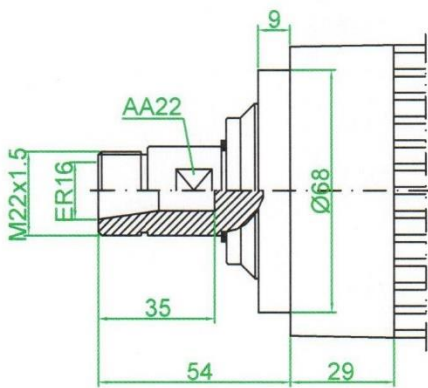


FLANGE

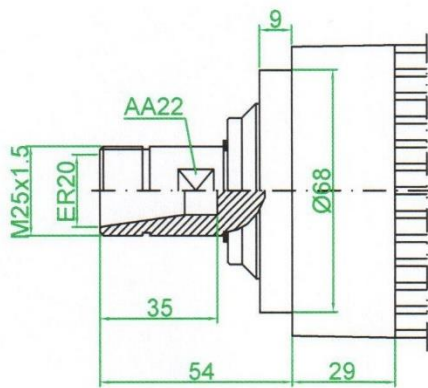


STANDARD

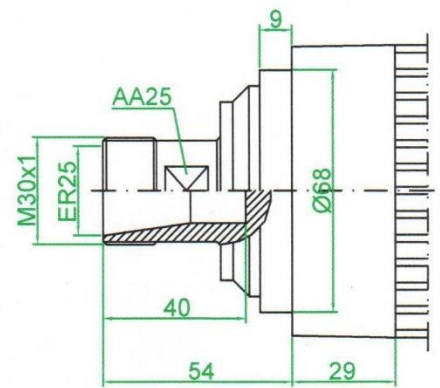
TYPE	A	B
HMB 12	167	86
HMB 22	187	106
HMB 32	217	136
HMB 42	237	156
HMB 52	267	186



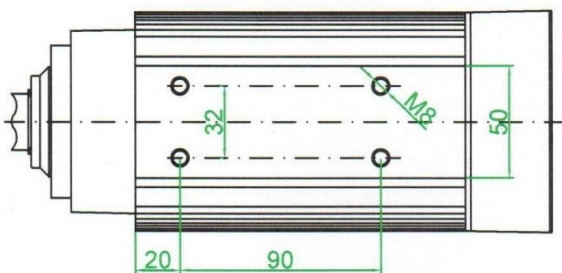
ER 16



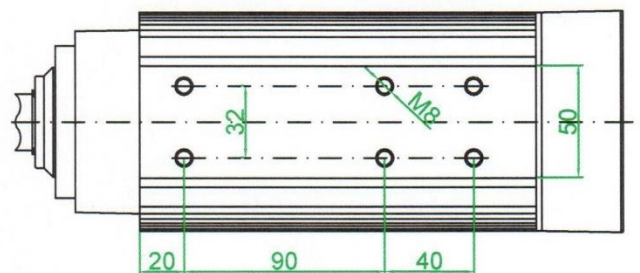
ER 20



ER 25 mini

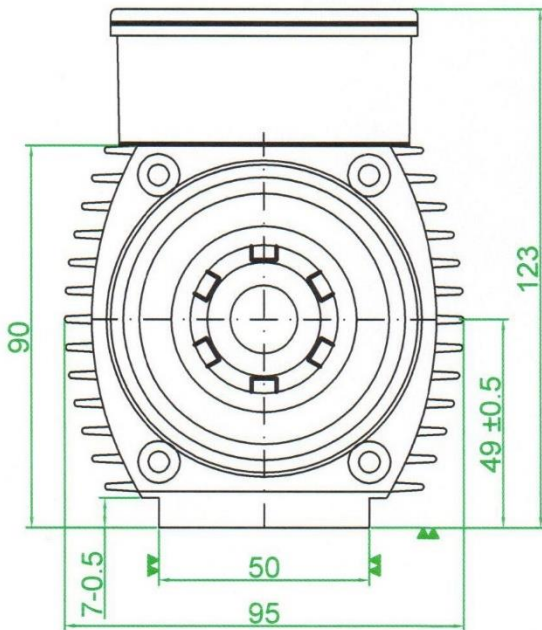
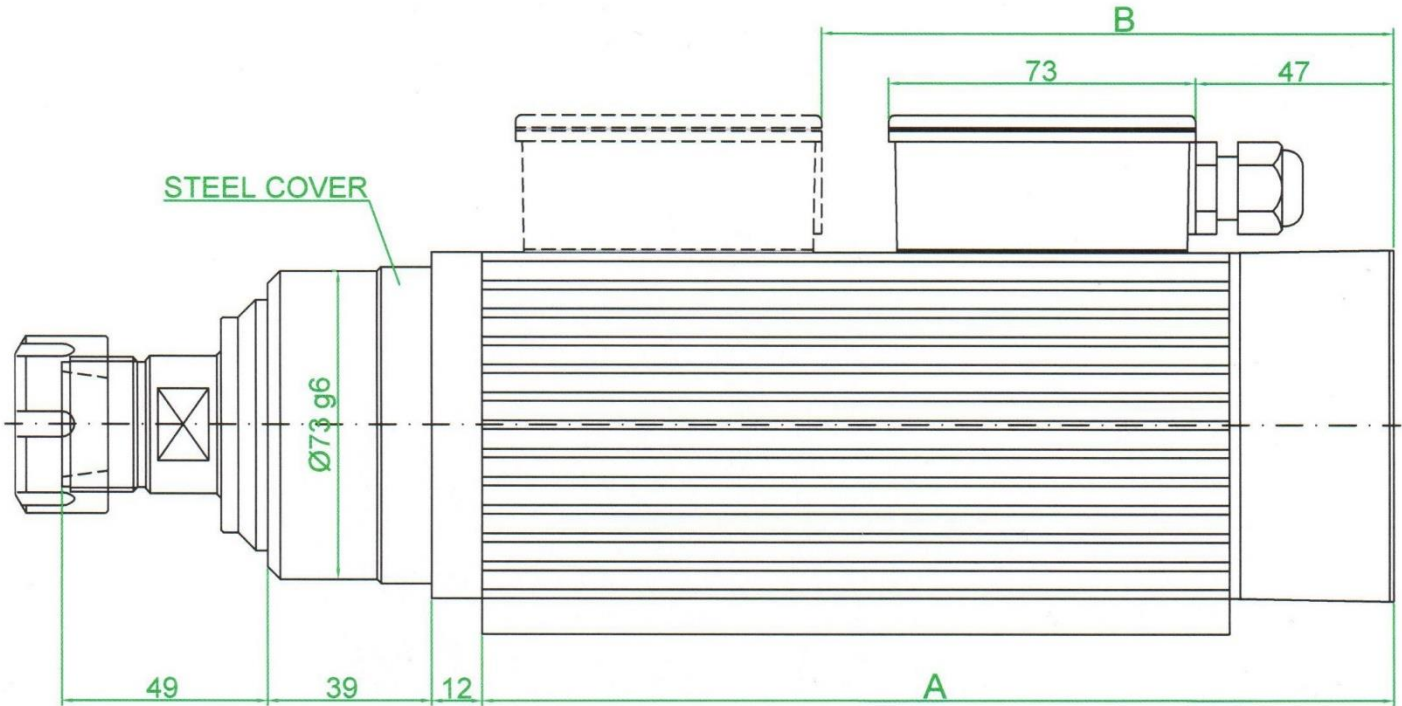


HMB12 / HMB22



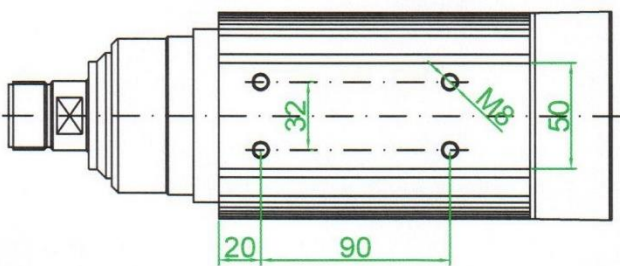
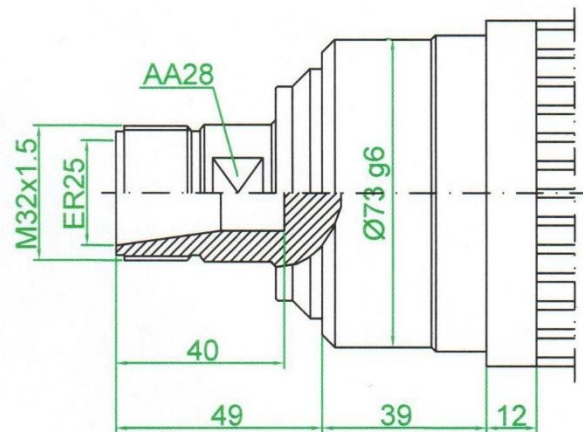
HMB32 / HMB42 / HMB52

HMB - CKS

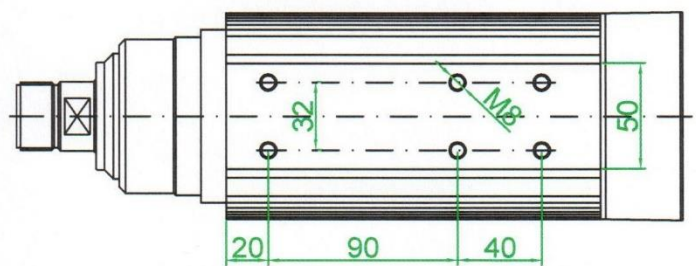


TYPE	A	B
HMB 12	167	86
HMB 22	187	106
HMB 32	217	136
HMB 42	237	156
HMB 52	267	186

ER 25



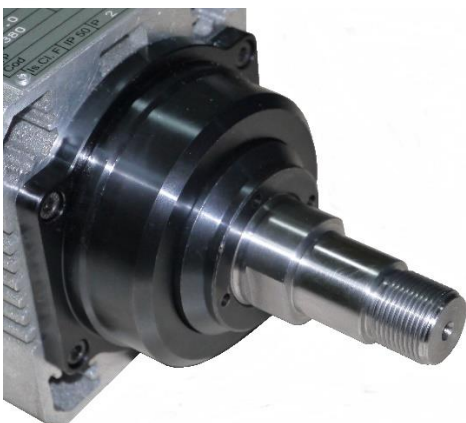
HMB12 / HMB22



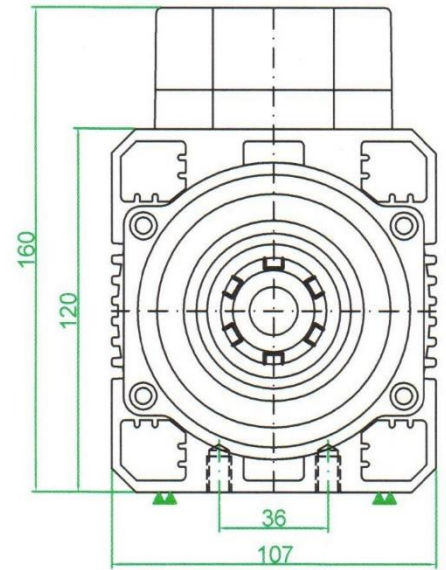
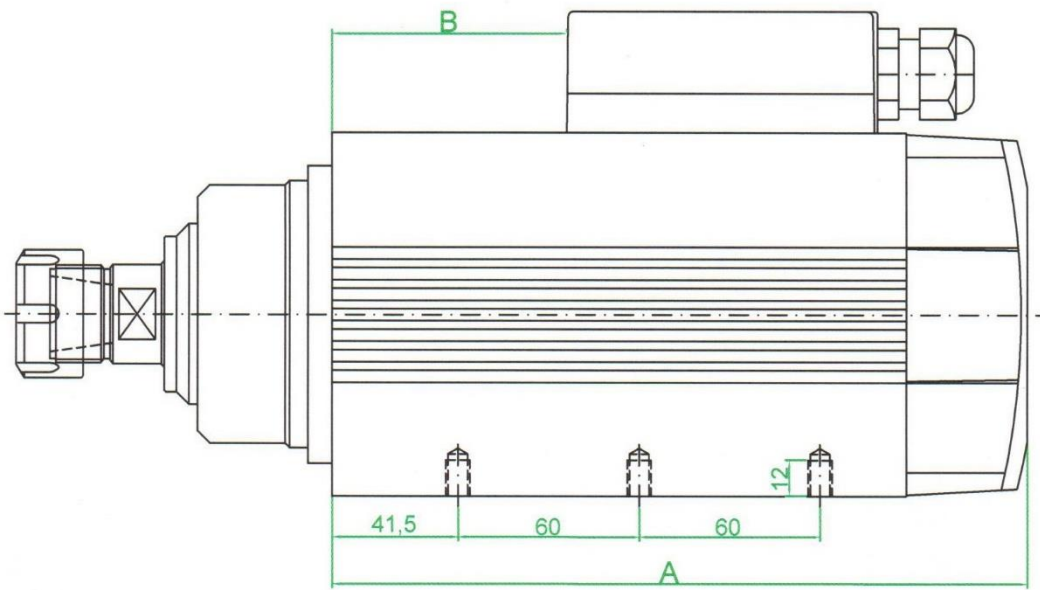
HMB32 / HMB42 / HMB52

HM 90

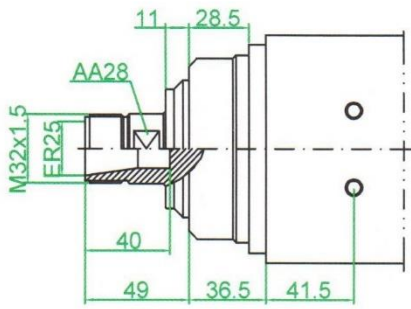
TYPE	Frequency Hz	Speed Rpm	Power Kw	Voltage V	Absorbtion A	Power Fac. Cos ϕ	Weight Kg
HM90-10	50	3000	0.65	220-380	3.7 - 1.9	0.72	11,4
	100	6000	1.5	220-380	6.4 - 3.6	0.75	
	200	12000	3.5	380	7.7	0.80	
	300	18000	4.0	380	9.0	0.85	
	300	18000	4.5	380	9.6	0.85	
	400	24000	4.5	380	9.6	0.85	
HM90-14	50	3000	1.1	220-380	4.9 - 2.9	0.72	13,3
	100	6000	2.2	220-380	9.5 - 5.5	0.75	
	200	12000	4.5	380	9.5	0.80	
	300	18000	5.5	380	12.0	0.85	
	300	18000	6.0	380	12.4	0.85	
	400	24000	6.0	380	12.4	0.85	
HM90-17	50	3000	1.5	220-380	6.3 - 3.5	0.72	15,0
	100	6000	3.0	380	7.2	0.75	
	200	6000	4.0	380	9.0	0.80	
	200	12000	5.5	380	12.0	0.85	
	300	18000	7.0	380	14.5	0.85	
	400	24000	7.0	380	14.5	0.85	



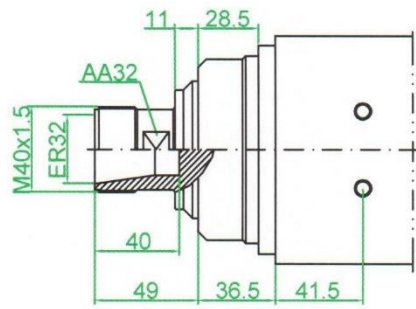
HM 90 - CKS / CKM



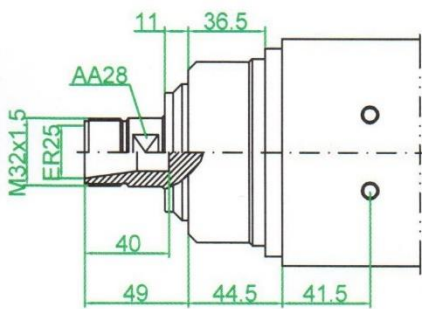
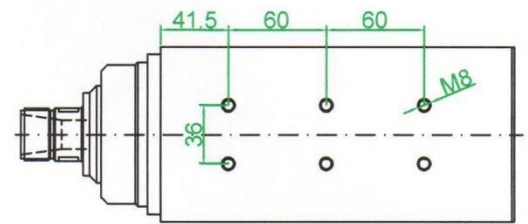
TYPE	A	B
HM90-10	230	77
HM90-14	270	117



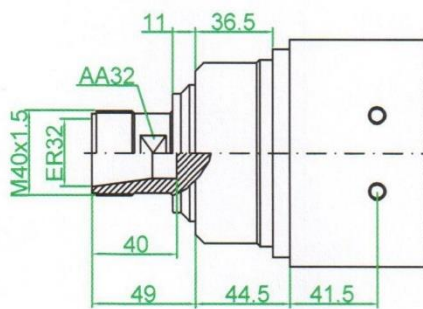
CKS / ER 25



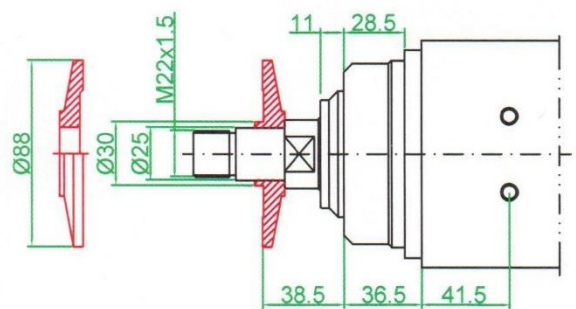
CKS / ER 32



CKM / ER 25



CKM / ER 32



CKS / FL